

ELECTRIC SCOOTER

Put fuse into fuse socket before use



Safety Tips:

Always remember to wear all safety equipment.
Be aware of any obstacles in your path.
Ride only in approved areas.
Do NOT wear loose fitting clothing or articles.
This product does NOT conform to Motor Vehicle Safety Standards.
This product does NOT intended for operation on roads, highways.
Do NOT ride double. This product is intended for a single rider.
After operation, do NOT touch hot motor surface.
Do NOT store the product in direct sunlight or near a heat source.

IMPORTANT WARNINGS:

This product does not conform to Motor Vehicle Safety Standards and is not intended for operation on public streets, roads or highways. Serious injuries can result from the unsafe operation of this product. The user can minimize these assumed risks by wearing safety equipment: helmet, goggles, gloves, elbow & knee pads and appropriate shoes must be worn.

Do NOT operate this product in traffic, or on wet, frozen, oily or unpaved surfaces. Avoid uneven surfaces, steps, chuckholes, surface cracks, slopes or down hills, ledges, drop offs, bodies of water and obstacles.

This product should **NOT** be used by persons without excellent vision, balance, coordination, reflex, muscle & bone strength or good decision making capability.

This product should **NOT** be used by minors without adult supervision. Intended for riders age 14 & up.

This product should **NOT** be used by persons unwilling or unable to take responsibility for their own actions.

The user of this product assumes all risk associated with its use. To minimize these assumed risks, the user must wear safety equipment.

THIS PRODUCT IS NOT INTENDED FOR FOOD USE. THE MANUFACTURER OR DISTRIBUTOR WILL NOT BE HELD LIABLE FOR ANY INJURY OR DAMAGES WHICH MAY OCCUR WHEN OPERATING THIS PRODUCT.

FULLY ASSEMBLED UNIT

Remove the scooter and the units from carton.

Installing the steering column:

Release the quick release lever and move the steering column to folded/unfolded position. Then put down the steering column, firmly close the quick release.

Installing the seat cushion see above-mentioned.

Folded: Loose the quick release, then pull the bar up a little, put down.

RIDING YOUR SCOOTER

Put fuse into fuse socket before use.

Before you ride this Electric Scooter, you should turn on the Power Switch with the switch key at the scooter. During ride the scooter, you can change the speed by regulate the adjustable handle.

If quick release lever is loose, open handle, twist knurled bolt on other side clockwise a few turns, then close quick release lever again. Repeat if necessary until quick release clamping force is adequate.

BRAKING

In order to stop the scooter, apply the hand brake until the rear wheel comes to a complete stop.

CHARGING

1. Position the scooter on a flat surface. Ensure that the Power Switch is in the off position.
2. Plug the male connector into the charger jack on the rear left hand side of the scooter.
3. Plug the charger into the outlet. One LED (red) will light up to indicate charging. After about 7-8 hours, the red LED will turn green when fully charged.
4. Unplug the scooter from charger.

Note: This scooter use the memoryless battery, so you can charge the battery whenever:

RIDING

Before riding: Test the brake on your scooter:

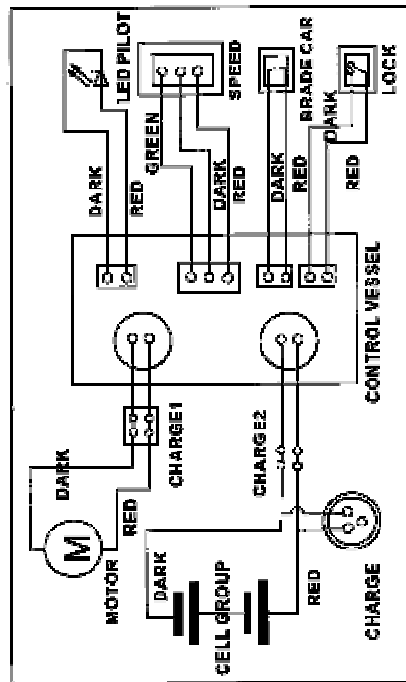
1. Tilting the scooter so that the rear wheel is free in the air.
2. Use your hand to make the rear wheel spin by turning it counter clockwise so the motor engages the power.
3. Apply the front brake 1/3 of the way and release quickly, the rear wheel should stop immediately. If the rear wheel does not

stop immediately do NOT use this scooter. Replace the front brake lever switch before use.

After riding: When you do not ride the scooter, you must turn off the power switch and pull out the fuse.

IF INJURY OR HARM HAPPENED WHEN YOU USE IT, THE MANUFACTURE OR DISTRIBUTORS WILL NOT BEAR RESPONSIBILITIES.

The showing picture of the electric way



3

The parameter of the scooter

Motor power	250W
Speed	20km/h
Maximum load	100kg
Recharge times	Over 100 times
charging period	7-8h
Range	25km
Wheel	300mm
Material of wheel	Rubber charging wheel
Material of wheel rim	Aluminum
Material of scooter	Steel + ABS Plastic
colour of scooter	Color can be customized
Nominal voltage of battery	110-240V
Battery capacity	15AH 36V
Net weight	26kg
Gross weight	30kg

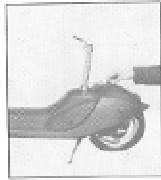
4



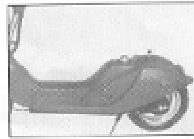
1. Loose the seat.



2. Remove the seat.



3. Loose the brace.



4. Remove the brace.



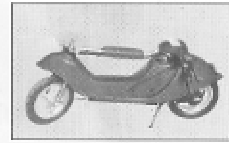
5. Loose the handle bar.



6. Remove the handle bar.



7. Loose the front post.



8. Fold the front post.

